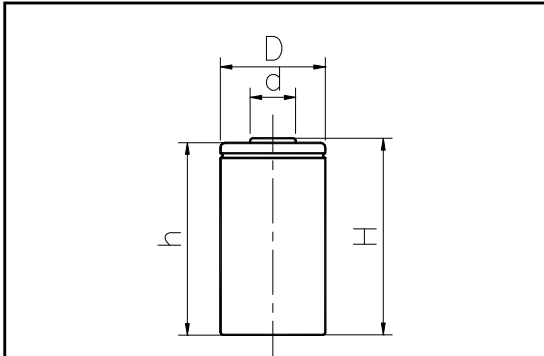


# JJJ Battery Co.,LTD.

**MODEL No:** J-SC2400

**Description:** 2400 mAh SIZE NI-MH SC

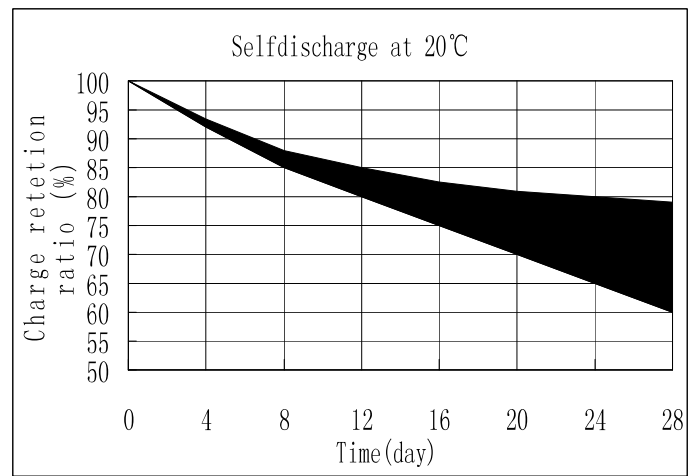
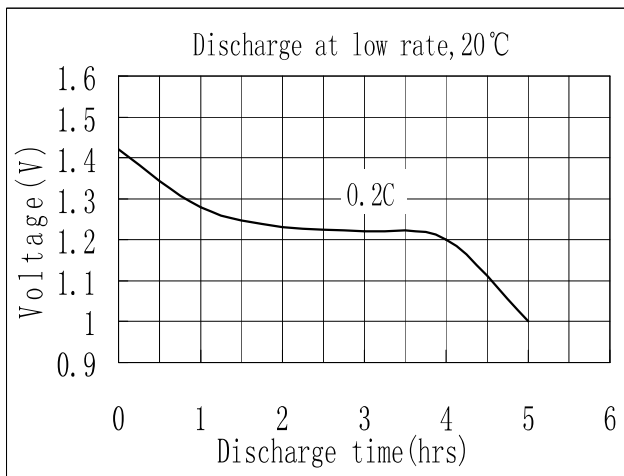
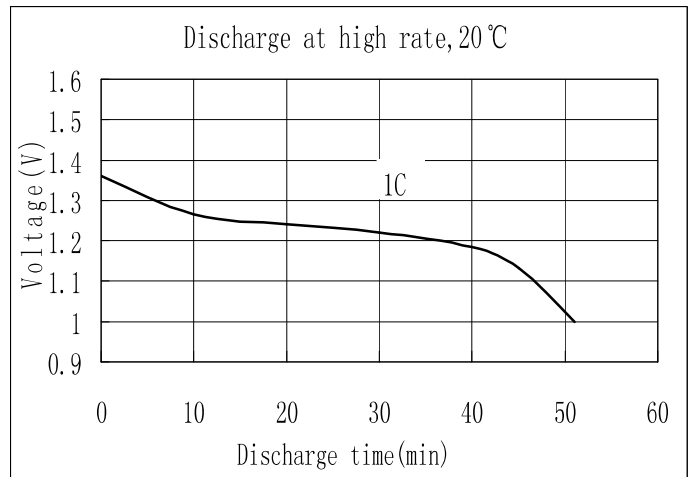
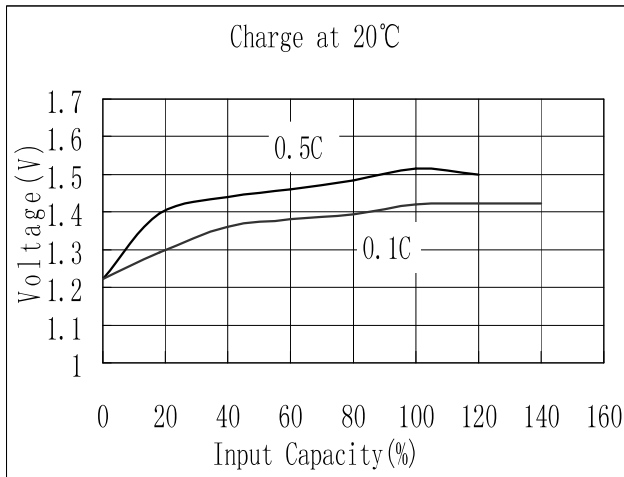


Dimensions(without Tube) (mm)

D	22.00±0.10
d	10.00±0.08
H	42.00±0.50
h	41.50±0.50

## Specification

Nominal Capacity		2400 mAh
Nominal Voltage		1.2 V
Charge current	Standard	240 mA
	Fast	1200 mA
Charge time	Standard	16 Hrs
	Fast	2.4 Hrs
Ambient Temperature	Charge	Standard: 0°C~45°C Fast: 10°C~45°C
	Discharge	-20°C~60°C
	Storage	-20°C~55°C
Internal Impedance(mΩ) (After Charge)		≤ 13
Weight		51.0 g



JJJ reserves the right to alter or amend the design, model and specification without prior notice.

JIANGMEN JJJ BATTERY CO.,LTD.